



PowerGEM[®] Cable Datasheet

AGIG2CBL-xyzACX

Agiga Tech, Inc. Confidential Information

Copyright © 2021 by AgigA Tech, Inc. All rights reserved.

AgigA Tech, Inc. owns all right, title and interest in the property and products described herein, unless otherwise indicated. No part of this document may be translated to another language or produced or transmitted in any form or by any information storage and retrieval system without written permission from AgigA Tech, Inc.

AGIGA TECH, INC, MAKES NO WARRANTIES, EXPRESSED OR IMPLIED, OF MERCHANTABILITY OR FITNESS FOR A PARTICULAR PURPOSE, OTHER THAN COMPLIANCE WITH THE APPLICABLE AGIGA TECH SPECIFICATION SHEET FOR THE PRODUCT AT THE TIME OF DELIVERY. IN NO EVENT SHALL AGIGA TECH BE LIABLE FOR ANY INDIRECT, INCIDENTAL OR CONSEQUENTIAL DAMAGES AS A RESULT OF THE PRODUCT'S PERFORMANCE OR FAILURE TO MEET ANY ASPECT OF SUCH SPECIFICATION.

AGIGA TECH PRODUCTS ARE NOT DESIGNED OR INTENDED FOR USE IN LIFE SUPPORT APPLIANCES, DEVICES OR SYSTEMS WHERE A MALFUNCTION OF AN AGIGA TECH DEVICE COULD RESULT IN A PERSONAL INJURY OR LOSS OF LIFE. CUSTOMERS USING OR SELLING AGIGA TECH DEVICES FOR USE IN SUCH APPLICATIONS DO SO AT THEIR OWN RISK AND AGREE TO FULLY INDEMNIFY AGIGA TECH FOR ANY DAMAGES RESULTING FROM SUCH IMPROPER USE OR SALE.

Information contained herein is presented only as a guide for the applications of AgigA Tech products. AgigA Tech does not warrant this product to be free of claims of patent infringement by any third party and disclaims any warranty or indemnification against patent infringement. No responsibility is assumed by AgigA Tech for any patent infringement resulting from use of its products by themselves or in combination with any other products. No license is hereby granted by implication or otherwise under any patent or patent rights of AgigA Tech or others.

AgigA Tech, Inc. software and related documentation are available only under the terms of the AgigA Tech Software License Agreement.

Trademarks

AgigA Tech, AGIGARAM, PowerGEM and the AgigA logo are registered trademarks, and AGIGACAP and AGIGASAFE are trademarks of AgigA Tech, Inc. All other brand names, product names, trademarks, and registered trademarks are the property of their respective owners.

AgigA Tech, Inc. reserves the right to change or modify the information contained herein without notice. It is the customer's responsibility to ensure receipt of the most recent revision of the document. Contact AgigA Tech or visit our web site at www.agigatech.com.

AgigA Tech, Inc.

An Infineon Technologies Company
12230 World Trade Dr., Suite 200
San Diego CA 92128
E-mail: info@agigatech.com
<http://www.agigatech.com/>

Revision History

Document Control No.	Revision Date	Description of Changes
01	04/11/2018	Initial Release

1. Product Overview

This document describes the 6-pin cable that is used with Agiga Tech PowerGEMs[®] when connecting to an NVDIMM-N module. The cable is available in several lengths, and this information is shown in the ordering information section with specific part numbers.

2. Mechanical Specifications

The cable consists of:

- Two micro 1.5mm pitch Wire-to-Board Housings
- 12 Crimp Terminals
- Braided Tubing
- UL10368 AWG26 tin plating annealed copper wire, black in color, conductivity resistance 600 m ohms Max
- RoHS compliance, UL1601, UL94-0
- Two connector housings have been qualified (see Figures 2 and 3)
- Available in the following lengths: 150mm, 355mm, 560mm, 655mm, 750mm, 900mm

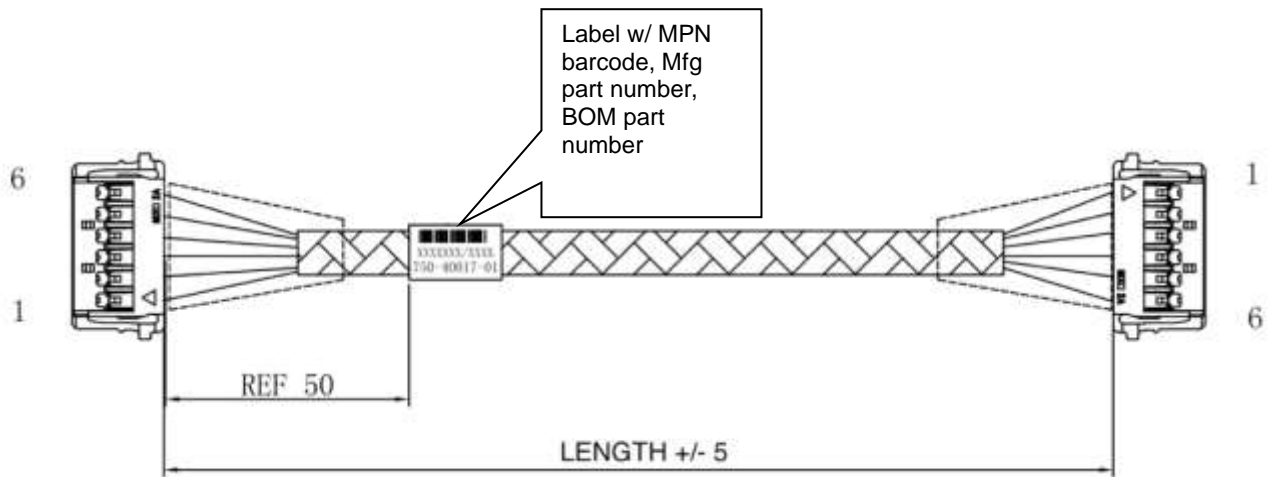


Figure 1. 6-pin Cable Drawing (Dimensions in mm)

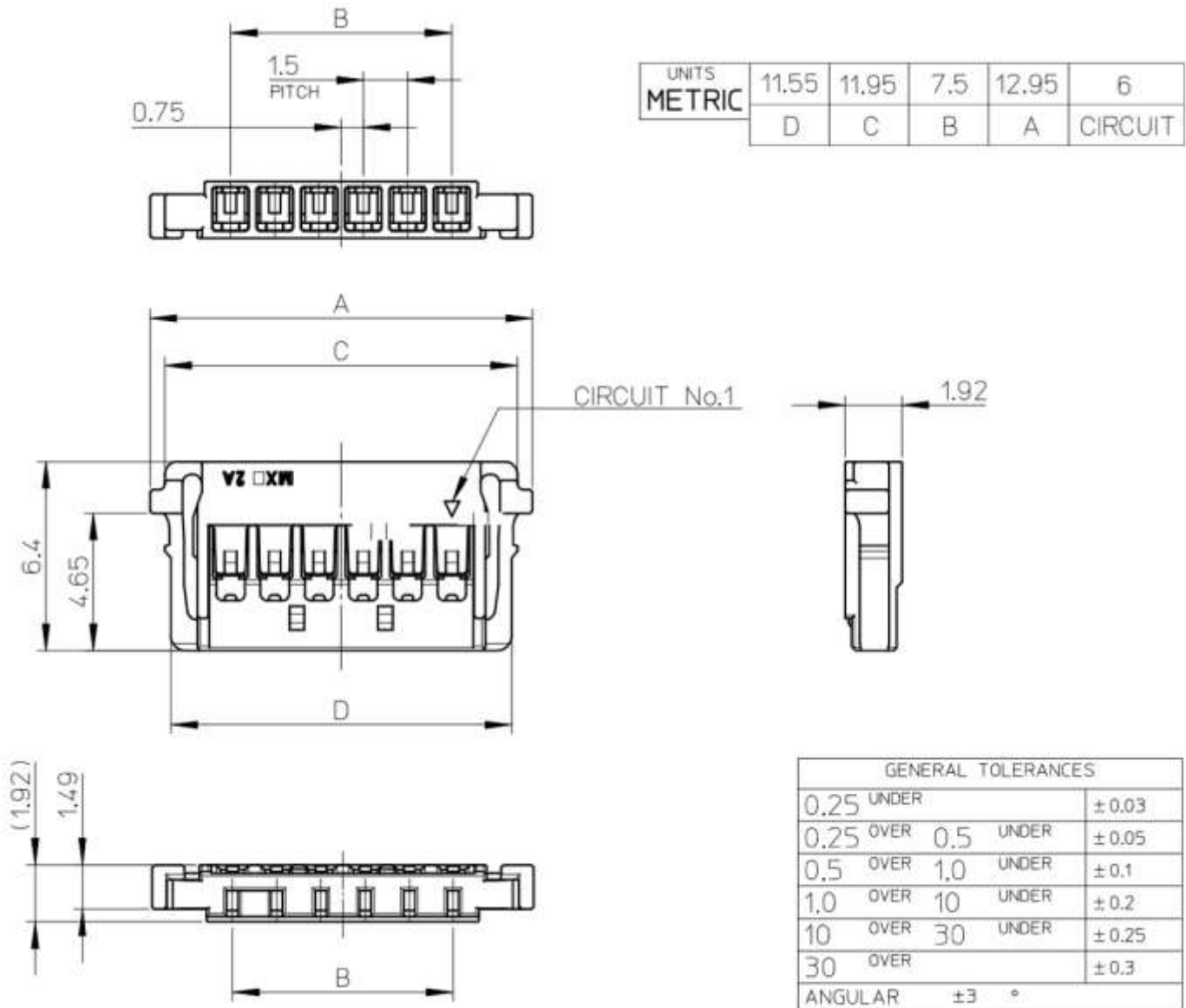


Figure 2. Micro 1.5mm pitch Wire-to-Board Housing, Variation 1

Notes:

1. Material: PA46+20%GF (DSM HFX31S), UL94V-0,
Color: Black

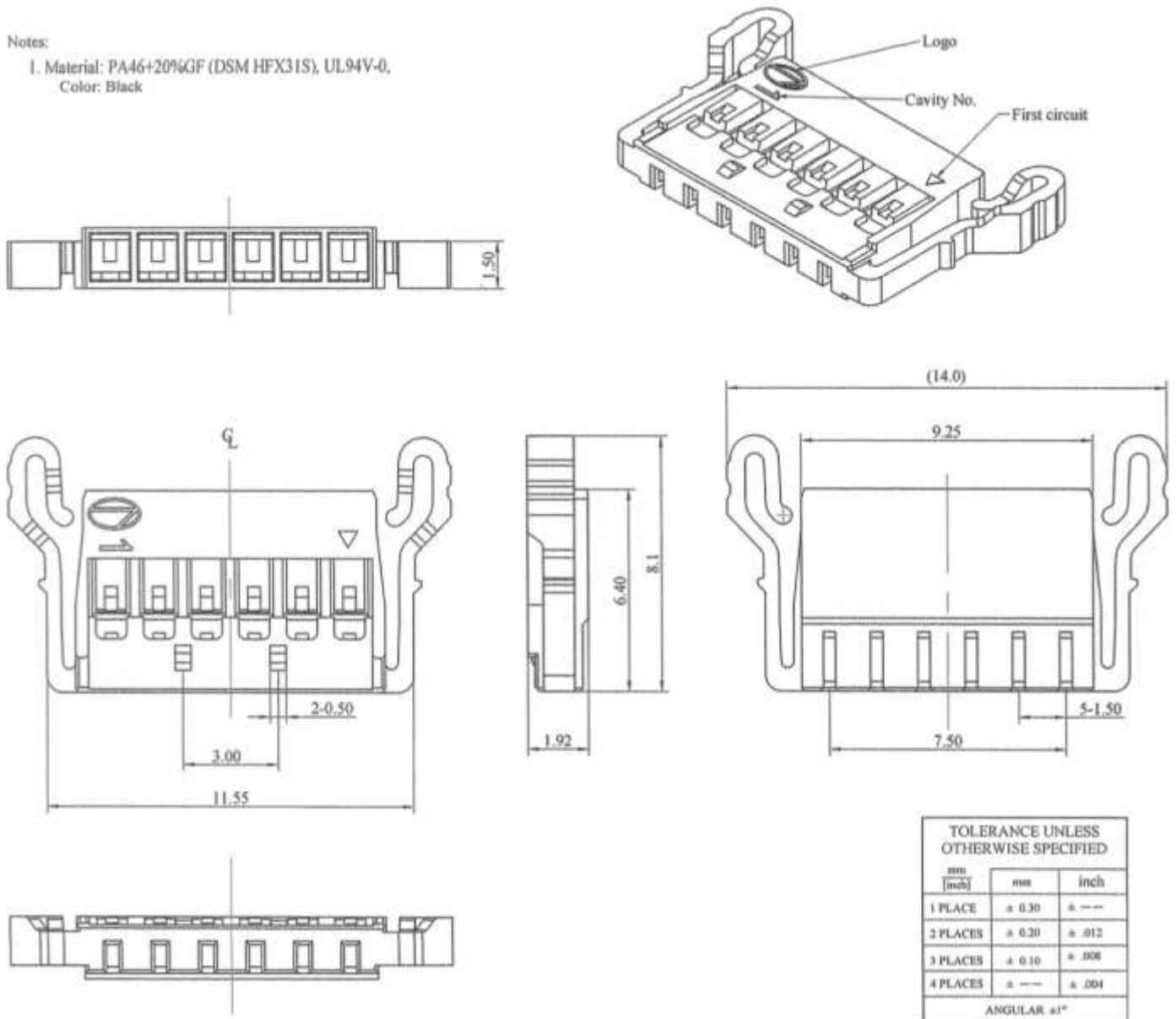


Figure 3. Micro 1.5mm pitch Wire-to-Board Housing, Variation 2

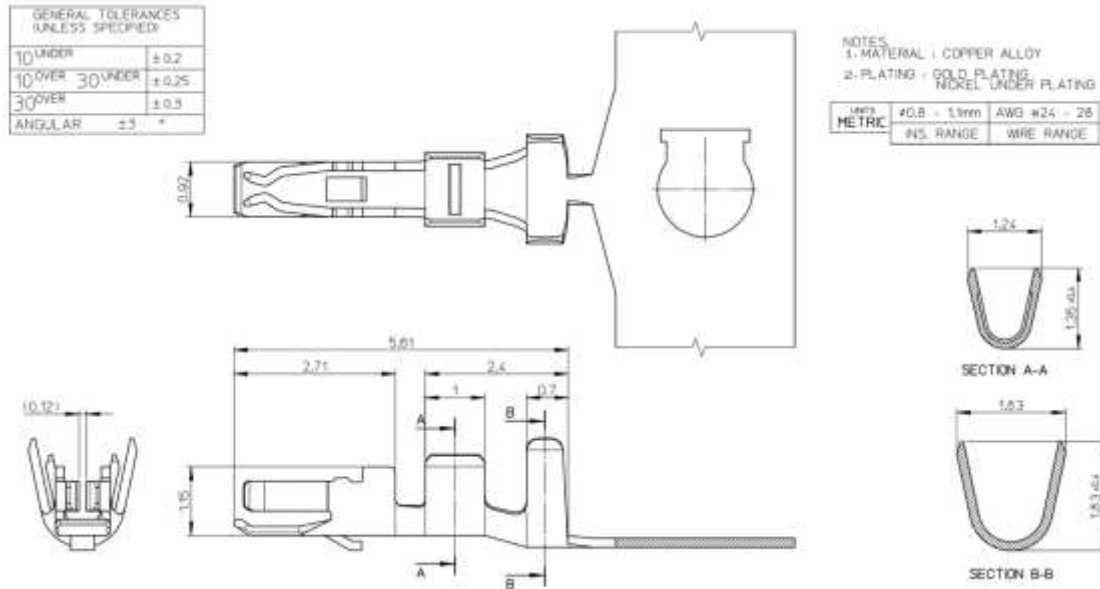


Figure 4. Crimp Terminal

3. Electrical Characteristics

Ratings		
Current rating: 2A	Operating Temperature Range: -20°C to +85°C	Storage Temperature Range: -40°C to +105°C
Voltage rating: 100V AC		
Moisture Range	Operating Moisture Range: 10% to 95%	Storage Moisture Range: 10% to 95%

Item	Specification	Condition
1. Insulation Resistance	500 M ohms Min	100 V DC
2. Withstanding Voltage	No flashover or insulation breakdown	500 V AC/1 minute
3. Contact Resistance	150 m ohms Max	100 mA
4. Insertion/Extraction Force	Insertion \leq 17.6N(1.8kg/f), Extraction \geq 1.18N(0.12kg/f)	
5. Durability	30 cycles Max	Mate and Unmate 30 cycles at a maximum rate of 25±3mm/min
6. Vibration	No electrical discontinuity of 1 ms	Freq: 10 to 55 Hz, single amplitude of 1.5mm, 2 hours in each of the 3 directions
7. Humidity (Steady State)	Contact resistance: 150 m ohms Max	96 hours at temperature of 40°C and humidity of 90% to 95%
8. Temperature Cycle	Contact resistance: 150 m ohms Max	-40°C 30 minutes → 105°C 30 minutes, 5 cycles

Table 1: Cable electrical characteristics

4. Ordering Part Numbers

Part Number	Cable Length
AGIGA2CBL-150ACX	150 mm
AGIGA2CBL-355ACX	355 mm
AGIGA2CBL-560ACX	560 mm
AGIGA2CBL-655ACX	655 mm
AGIGA2CBL-750ACX	750 mm
AGIGA2CBL-900ACX	900 mm